



ORTODONTSKO
UDRUŽENJE
SRBIJE

V kongres

Ortodontskog
udruženja Srbije

PROGRAM

24-25. Novembar 2023.
Hotel Hyatt Belgrade

WELCOME

TO

Belgrade



www.kongresous.com



V kongres
Ortodontskog
udruženja Srbije

**24-25. Novembar 2023.
Hotel Hyatt Belgrade**

ORGANIZATOR

ORTODONTSKO UDRUŽENJE SRBIJE

5. Kongres OUS

PROGRAM

24-25. Novembar 2023.

Beograd, Srbija

Hotel Hyatt Regency Belgrade

www.kongresous.com

President of the Congress
Prof. dr Nenad Nedeljković

Organising committee

- **Prof. Dr. Nenad Nedeljković** – University of Belgrade, Faculty of Dental Medicine, Department of Orthodontics, Belgrade, Serbia
- **Assoc. Prof. Dr. Predrag Janošević** – University of Niš, Medical Faculty, Department of Orthodontics, Niš, Serbia
- **Dr. Branislav Vidović** – Private office Ortis, Novi Sad, Serbia
- **Ass. Prof. Dr Neda Stefanović** – University of Belgrade, Faculty of Dental Medicine, Department of Orthodontics, Belgrade, Serbia
- **Dr. Miodrag Popov** – Private office dr. Popov, Novi Sad, Serbia
- **Dr. Ljiljana Parpura** – private office Orto Pro, Belgrade, Serbia
- **Ass. Dr. Ana Todorović** – University of Niš, Medical Faculty, Department of Orthodontics, Serbia
- **Ass. Dr. Ivan Arsić** – University of Belgrade, Faculty of Dental Medicine, Department of Orthodontics, Belgrade, Serbia
- **Dr. Jovan Marković** – University of Belgrade, Faculty of Dental Medicine, Department of Orthodontics, Belgrade, Serbia
- **Dr. Tamara Brkanović** – Podgorica, Montenegro

Scientific committee

- **Prof. Dr. Ivana Šćepan** – University of Belgrade, Faculty of Dental Medicine, Department of Orthodontics, Belgrade, Serbia

-**Prof. Dr. Predrag Nikolić** – University of Belgrade, Faculty of Dental Medicine, Department of Orthodontics, Belgrade, Serbia

- **Ass Prof. Dr. Željko Milosavljević** – University of Belgrade, Faculty of Dental Medicine, Department of Orthodontics, Belgrade, Serbia.

- **Ass Prof. Dr. Tina Pajević** – University of Belgrade, Faculty of Dental Medicine, Department of Orthodontics, Belgrade, Serbia

- **Prof. Dr. Gordana Filipović** – University of Niš, Medical Faculty, Department of Orthodontics, Niš, Serbia

- **Assoc Prof. Dr. Tatjana Perović** – University of Niš, Medical Faculty, Department of Orthodontics, Niš, Serbia

- **Prof. Dr. Jasna Pavlović** – University of Pristina, Medical Faculty, Department of Orthodontics, Kosovska Mitrovica, Serbia.

- **Assoc. Prof. Dr. Lejla Redžepagić - Vražalica** – University of Sarajevo, Faculty of Dental Medicine, Department of Orthodontics, Sarajevo, Bosnia and Herzegovina.

- **Prof. Dr. Enita Nakaš** – University of Sarajevo, Faculty of Dental Medicine, Department of Orthodontics, Sarajevo, Bosnia and Herzegovina.

- **Dr. Nemanja Marinković** – University of Belgrade, Faculty of Dental Medicine, Department of Orthodontics, Belgrade, Serbia

- **Assoc. Prof. Dr Radmila Dimovska** – International Balkan University, Department of Orthodontics, Skopje, Macedonia

- **Ass Prof. Dr Jovana Milutinović** – University Business Academy, Faculty of Dentistry in Pančevo, Department of Orthodontics, Serbia.

General information - Opšte informacije

Mesto održavanja

24-25.11.2023. Hotel Hyatt Regency Beograd

Kotizacija

Kotizacija uključuje: prisustvo svim sesijama, pauze za kafu i ručak, kongresni materijal i sertifikat

KME bodovi

Događaj je akreditovan od strane Zdravstvenog saveta Srbije, rešenje broj 153-02-347/2023-01 od 21.08.2023. sa 10 bodova za učesnike, 11 bodova za poster prezentacije i 13 bodova za oralne prezentacije.

Sertifikate će učesnici dobiti putem e-maila koji su ostavili pri registraciji za događaj.

Važne adrese

IZVRŠNI ORGANIZATOR i SEKRETARIJAT SIMPOZIJUMA

Dekon kongres

Telefoni: +381 64 4 5555 42; +381 11 675 3131

e-mail: serbia@dekongroup.com

Web: www.dekongroup.com



POWERBAR

MORE INFO

- PowerBar has no right or left designation - sizes are interchangeable in both upper arch quadrants
- PowerBar features a patent pending pad base for maximum bonding strength
- The smooth and rounded mesial hook is engineered for simple attachment of elastics
- The free-moving bar in the socket gives you excellent rotational control of molars during treatment
- The facial line on the socket provides easy buccal groove placement
- The facial line spans the socket to provide easy buccal groove placement on right or left side of the maxillary arch

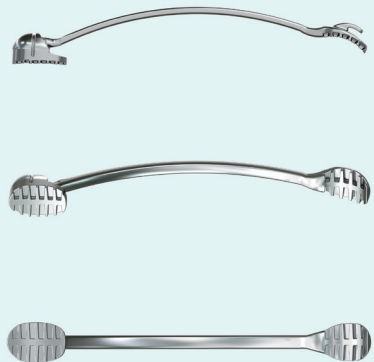


Color Code Identification

Part Number	Size	Color Code
855-012	12mm	Lime Green
855-013	13mm	Orange
855-014	14mm	Teal
855-015	15mm	Yellow
855-016	16mm	White
855-017	17mm	Red
855-018	18mm	Blue
855-019	19mm	Green
855-020	20mm	Pink
855-021	21mm	Purple
855-022	22mm	Black
855-023	23mm	Yellow
855-024	24mm	White
855-025	25mm	Red
855-026	26mm	Blue
855-027	27mm	Green
855-028	28mm	Pink
855-029	29mm	Purple
855-030	30mm	Black
855-031	31mm	Teal
855-032	32mm	Orange
855-033	33mm	Lime Green
855-034	34mm	No Color

LITFUNC-036747 Selection Guide 5 per package

Available in 23 sizes



KEYNOTE SPEAKERS



Paolo Manzo
ITALY



Nizan Kucukkeles
TURKEY



Sergio A. Cardiel Rios
MEXICO



Letizia Perillo
ITALY



Roland Kmeid
LEBANON



**Vaska Vandevska
Radunovic**
NORWAY



INVITED SPEAKERS



**Kyriacos Jack
Toumba
UNITED KINGDOM**



**Ranko Rajovic
SLOVENIA**



**Ayse Tuba Altug
TURKEY**



**Predrag Janosevic
SERBIA**



**Stjepan Spalj
CROATIA**



**Evgenija Markovic
SERBIA**



PROGRAM

Petak, 24. Novembar 2023

8:30-9:15	Registration
9:15-10:00	When it is really worth to move the teeth in orthodontics... Think about stability Sergio Cardiel Rios
10:00-11:00	Efficiency of Class II no compliance treatment Paolo Manzo
11:00-11:08	Paradigm shift in orthodontics - from Angle to the present day Jovana Milutinović
11:08-11:16	Visible vs. Invisible Enita Nakas
11:16-11:20	Discussion
11:20-12:00	Coffee break
12:00-12:30	Opening ceremony
12:30-13:00	Značaj mlečnih zuba i žvakanja u ukupnom razvoju dece Ranko Rajović
13:00-14:15	Lunch SPONSORED BY MEDIPRO  
14:00-14:40	Sponsored Lecture “Orthodontics in the Digital Age: The Symbiosis of iTero and Invisalign” Pablo Lirio Del Saz
14:45-15:30	Treatment options for dental traumas Vaska Vandevska

15:30-16:00	Combined surgical-orthodontic treatment of skeletal malocclusions Stjepan Špalj
16:00-16:08	ALT-RAMEC protocol u terapiji skeletne III klase Ivan Arsić
16:08-16:16	Ispitivanje polimorfizma u genima za miozin 1H (MYO1H) i kolagen tip 1 (COL1A1) kao rizika za nastanak mandibularnog prognatizma Olga Milošević
16:16-16:20	Discussion
16:20-16:50	Coffee break
16:50-18:00	Poster sesion
20:30	Gala dinner - Restoran Smokvica Airport City

PROGRAM

Subota, 25. Novembar 2023

9:00-9:30	Fluoride slow-release glass devices: Can we prevent white spot lesions in orthodontic therapy? Jack Tomba
9:30-10:30	How to achieve good results in borderline Class II adults Nizan Kucukkeles
10:30-10:40	The art of matching: analysis of photorgaphs based on two photography techniques Jasmina Bukejlović
10:40-10:50	Discussion
10:50-11:30	Coffee break
11:30-12:15	Early treatment of class III malocclusion: a contraversal topic Letizia Perillo
12:15-12:45	Camouflage of asymmetrical cases. Is there a cook-book? Predrag Janošević
12:45-13:15	Orthodontic and orthognatic treatment modalities of lateroocclusion and laterognathie Ayse Tuba Altug
13:15-13:23	Funkcionalna rekonstrukcija mandibule sa ekstraoralnim višesmernim distraktorom u terapiji mikrognatije mandibule i hemimandibularne hipoplazije Nikola Burić
13:23-13:31	Prinudni ukrušteni zagrižaj-promene na nivou temporo-mandibularnog zgloba Vanja Stojić

13:31-13:40	Discussion
13:40-15:00	Lunch break – SPONSORED BY ZLATIBORAC
15:00-16:00	Success with conventional and modern systems-30 years of experience and scientific researches, case comparison Roland Kmeid
16:00-16:30	Tongue disfunctions: What is the role of an Orthodontist? Evgenija Marković
16:30-16:38	Procena dentalnog i skeletnog uzrasta dece u srpskoj populaciji primenom novih kvantitativnih metoda Nemanja Marinković
16:38-16:46	Indirektno pozicioniranje bravica, digitalni pristup Dušan Jovetić
16:46-16:54	Effect of mouthwash in addition to tooth brushing on biofilm control and structure on the surface of metallic and polymeric materials in the oral cavity of adolescent orthodontic patients: a randomized controlled trial Matea Badnjević
16:54-17:02	Tretman skeletno otvorenog zagrižaja korišćenjem palatinalnih mini-implanata:prikaz slučaja Mia Atlas
17:02-17:10	Fiksni aparati u mešovitoj denciji Ivana Stojković Golac
17:10-17:20	Discussion

BENEFIT[®]



NEW PRODUCT

Leading in Orthodontic Implants

De Dental
EXPRESS

Ulica: Uroša Martinovića 21, Lokal br.2, Novi Beograd
Tel: +381 11 311-1048; Fax: +381 11 311-2936
Email: office@dentalexpress.rs
Web: www.dentalexpress.rs

psm
MEDICAL

Save the date:
Kurs i predavanja na
temu TADs i Alignera
31.05. - 01.06.
2024

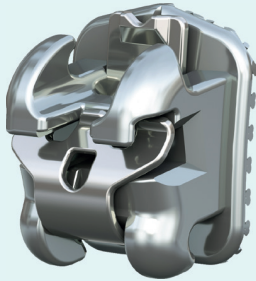
Gala večer
31.05.2024.
Klub "Reset"

Više informacija
uskoro





Empower 2 Self Ligating Braces



Advanced Smile Technology™

Empower 2 is designed with comfort and orthodontist's treatment goals in mind. Each Empower 2 bracket is built to the highest standard with leading edge, high performance technology.

Treatment Versatility

Empower 2 is the first in the industry to offer you the versatility of both interactive and passive bracket designs in one unified system with coordinated in/out.



Interactive Bracket

Lower ligation forces early in treatment: exceptional torque and rotation control during working and finishing phases
Available in metal upper and lower 5-5 and ceramic upper 5-5

Passive Bracket

Lower ligation forces throughout treatment
Available in metal upper and lower 5-5

Dual Activation™

This combination interactive/passive system allows you the best of both worlds:



Anterior Teeth – Interactive Brackets

Lower ligation forces during initial leveling and alignment phases
Increased torque and rotational control during finishing

Posterior Teeth – Passive Brackets

Lower ligation forces throughout treatment
Matching in/out between interactive and passive designs means no 1st order wire bending compensations



AESTHETIC BRACES



Radiance[®]
plus

Technically Beautiful™

Radiance Plus delivers exceptional results with features other cosmetic brackets just can't match. This latest generation of Radiance is stronger and even more dazzling than the previous generation, with enhancements including Visual Placement Aids (VPAs) for bonding precision, and a thicker, stronger tie wing radius.

Clear Sapphire

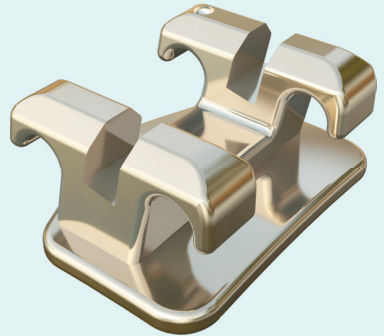
Radiance Plus is the clearest ceramic twin bracket available, proven to be much clearer than other monocrystalline or polycrystalline ceramic systems. Each Radiance Plus bracket is created from a single crystal of pure grown sapphire—one of the hardest materials in nature, second only to diamond. The crystal is honed and heat polished into a remarkably strong and beautiful bracket that's nearly invisible on the teeth. A recent study appearing in the American Journal of Orthodontics and Dentofacial Orthopedics rates Radiance Plus as the most translucent of all monocrystalline brackets tested.

Performance

Radiance Plus's delivers exceptional rotational control, thanks to optimum mesial-distal width on the maxillary centrals and cuspids. This greater anterior control allows accurate results without sacrificing aesthetics. Tie wing fracture risk is reduced, tie-ability is improved, and non-latex Visual Positioning Aids (VPAs) allow simple, accurate bracket placement every time, without the staining risk associated with other color coding systems.

Strength

Radiance Plus's heat treated, monocrystalline formation gives it a solid core structure, and a proprietary heat polishing process creates just enough energy to smooth away any micro voids or flaws that could compromise the bracket's integrity. Sliding mechanics are improved, and the bracket resists torque fracture more than three times that of polycrystalline brackets. Increased tie wing thickness enhances its solid body, and a patented Quad Matte™ base provides amazing bond strength.



ICONIX[™]
AESTHETIC BRACES

Iconix® Aesthetic Braces

Iconix stainless steel champagne colored brackets truly offer the best of both worlds - the durability of stainless steel and the aesthetics of "white" gold. A unique proprietary process ensures these brackets will stay champagne for the duration of treatment. When matched with gold wire and clear ligatures, Iconix offers a complete patient pleasing cosmetic system that requires literally no sacrifice on your part.

- Aesthetic champagne color
- Smooth zirconia finish guarantees champagne color will not peel or brush away
- Available as LP Low Profile or Mini Master Series, utilizing diagonal torque and angulation for patient comfort and ease of placement
- Prescriptions available: Roth*, McLaughlin, Bennett, Trevisi*, Alexander*, Vertical Slot
- No change in technique required

CONTACT

Boris Vučinić

+381 66 235 776

bvucinic@americanortho.com



Material background

Tera Harz TC-85 is a photopolymer material that was created to overcome the current limitation of thermoforming sheet type aligner.

The Tera Harz direct aligner is the first aligner developed in the world that can be printed directly with a 3D printer.

It makes orthodontic treatment more efficient and less painful for the patient.

Direct aligner is an orthodontic dental device that was created with state-of-the-art 3D printing technology for professional orthodontic experts, patients, and maximized treatment efficiency.

Advantages

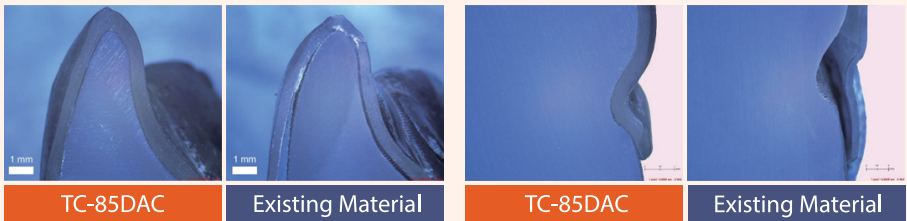
Orthodontic experts can make one-day orthodontic treatments with Tera Harz TC-85DAC, and dental laboratories don't need to spend a huge expense to set up manufacturing facilities. Large volumes of products can be produced with minimal facility investment. It can reduce the manufacturing time and increase productivity.

The orthodontist can design the direct aligner with 3D software and can control its strength and elasticity. Therefore, unlike the conventional clear aligners, which could only be used in limited cases, the direct aligner can be used for various orthodontic treatments and can make faster and certain orthodontic treatment results.

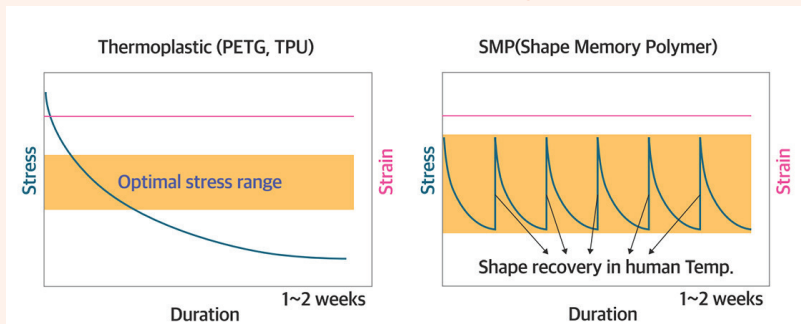
Direct aligner is the optimal orthodontic treatment device that perfectly matches the characteristic of the dental market, which needs to customize the treatment device for each patient. Since orthodontists can design the shape of the direct aligner and can control the material strength and elasticity, they can make better and more effective treatment plans. Direct aligner is the orthodontic treatment device of the future that be developed to overcome the difficulties of the current treatment method.

TC-85 is a bio-compatible photopolymer material which already acquired global medical device certifications such as the CE, FDA, and KFDA. It is actively used both in Korea and the international market and shows much better results than the conventional method. There are two colors that can be directly printed: clear and white.

TC-85DAC (clear) is a fully transparent and durable aligner, while TC-85DAW (white) emphasizes durability and aesthetics. In addition, Graphy Inc. has the technology to self-develop its own materials, so it can also supply customized colors that meet the needs of its business partners.



Shape Memory





DAMON Q

COPPERNI-TI™
- Termomemorirni lukovi



DAMON CLEAR2

Ormco Team

office@ormcoteam.com | www.ormcoteam.com

Maja mob +381(62) 284 544 | Obren mob +381(62) 284 540

INSPIRE
ice
CLEAR BRACES



ENLIGHTEN



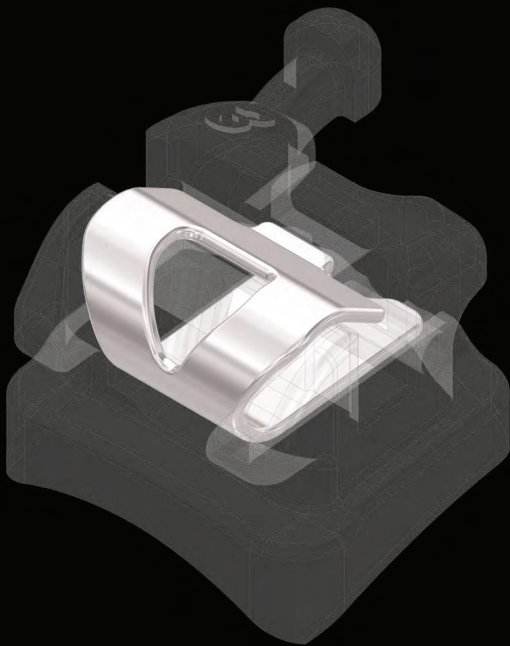
Zoo Pack
Elastic



MINI DIAMOND™

OrthoSOLO™





BioQuick®

The 5th Generation

www.forestadent.com

DeDental
EXPRESS

FORESTADENT®
GERMAN PRECISION IN ORTHODONTICS

IT'S ALL ABOUT CLIP...



Save the date:
Kurs i predavanja na
temu TADs i Alignera
31.05. - 01.06.
2024

Gala večer
31.05.2024.
Klub "Reset"

Više informacija
uskoro



KOMBINOVNA SNAGA
HLORHEKSIDINA
I CITROX -a

CURAPROX
PERIOPLUS+

UNAPREĐENA FORMULA ZA EFIKASNU ZAŠTITU ZUBA I DESNI



 SWISS PREMIUM ORAL CARE



Proizvode Curaprox Perio plus možete kupiti u internet prodavnici www.zdrav-osmeh.rs, apotekama, drogerijama i specijalizovanim prodavnicama. Za više informacija pišite na trgovina@oralnet.rs ili pozovite 011/2674959



Curaprox Srbija
[curaprox_srb](https://www.facebook.com/curaprox_srb)

www.zdrav-osmeh.rs



OrthoTech
ALIGNERS



Nevidljive folije za korekciju položaja zuba

- Najsavremenija tehnologija u izradi nevidljivih folija (alignera)
- 3D štampa i analiza slučaja
- Efikasno i bezbolno
- Povećajte profitabilnost Vaše prakse
- Savetovanje i podrška tokom trajanja terapije
- Kontaktirajte nas putem mail-a **office@orthotech.rs** ili pozivom na broj **064/8861234**

GENERALNI SPONZOR



PLATINASTI SPONZOR



BRONZANI SPONZOR



SPONZOR RUČKA - IZLAGAČ



IZLAGAČI





www.kongresous.com